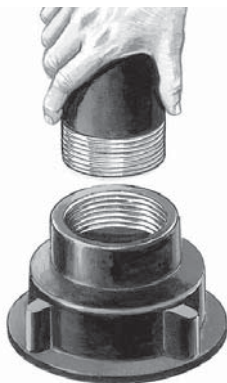
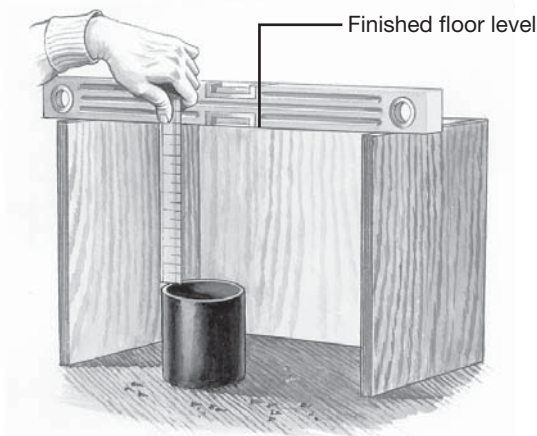


Installation guidelines

General installation guidelines are provided for gully components in a tiled finished floor with a damp proof membrane. Page 3SF gives additional guidelines for installing gratings designed for use with sheet flooring finishes, such as vinyl. See also wade.eu/installation



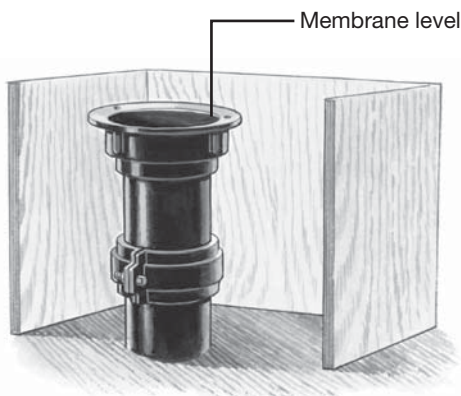
1. Where applicable, screw spigot adaptor into the body outlet using a suitable sealant to ensure the joint is watertight.



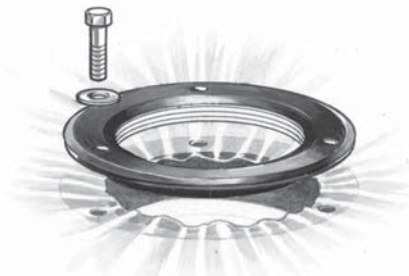
2. Measure the distance between the top of the connecting pipework and finished floor level.
3. Check that this distance will enable the complete gully (with extensions, if applicable) to be installed with the top face of the grating or cover flush and level with the finished floor.

Note

Where a damp-proof membrane is used, the body must be installed with the top of the flange at or below membrane level.



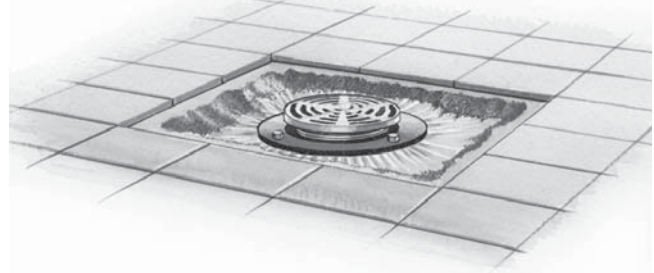
4. Connect body (with spigot adaptor if applicable) to pipework.
5. Infill as required.



6. Where applicable, dress the membrane over the flange and into the sump of the body, ensuring that the membrane does not restrict the outlet; bolt the membrane clamping collar to the body – certain collars are reversible to increase height adjustability.

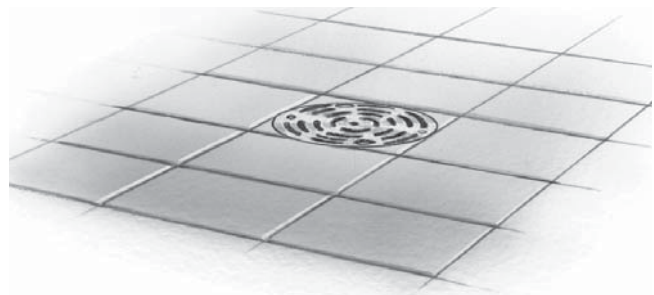
Note

In some cases the membrane clamping collar serves to connect the grating or cover to the body, so it must be fitted even where a membrane is not used. In installations without a below-floor membrane and/or using sheet floor covering such as vinyl, the membrane clamping collar should be sealed to the body using the supplied gasket and, where supplied, fibre washers beneath the screw heads.



7. Fit grating, cover, or funnel with extensions, frame or collar as applicable; set top face flush and level with the finished floor using height adjustability features. Use a suitable, good quality sealant on all threaded joints to ensure a watertight assembly.

All joints need to be sealed to ensure that leaks do not occur in the event of water backing up in the gully, e.g. if a downstream pipe blockage occurs. The exception is gully assemblies specified with weepholes, which are designed to provide supplementary drainage from above the membrane; these weepholes should not generally be sealed.



8. Infill or lay floor screed and apply final floor finish (e.g. tiles, marble, paviers, terrazzo) around the grating or cover.

Note

Installation of gratings and covers for use with sheet floor covering, such as vinyl, is illustrated on page 3SF.