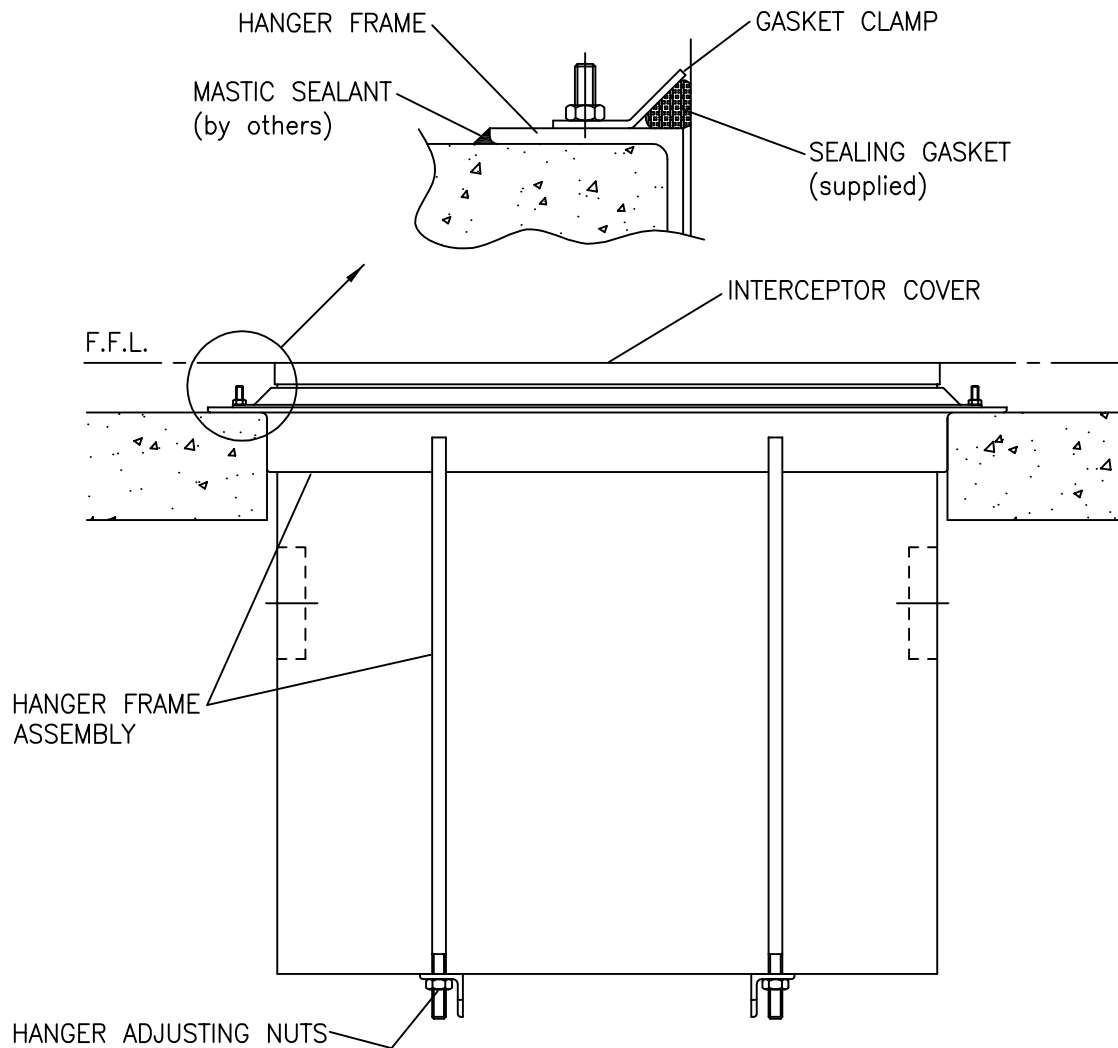


INSTALLATION INSTRUCTIONS - HANGER GREASE CONVERTERS



1. Place hanger frame assembly through slab opening and seal with a suitable mastic sealant.
2. If tank being fitted is a sheet flooring type, having a wide top flange, then position gasket clamp and sealing gasket onto tank by sliding up from bottom. (May be held in position at top of tank by adhesive tape if necessary).
3. Lower interceptor into hanger frame and adjust interceptor cover to finished floor level using hanger adjusting nuts.
4. Position sealing gasket and fit gasket clamp over studs, then secure using nuts provided.
5. The interceptor is now ready to accept the final floor finish.

© 2003

| | | | | | | | |
|----------|--|-----------------------------|----|--------|--|-----------------------------|--------------------------|
| ISS. No. | | DRAWN | DC | 7-1-03 | TITLE | | |
| C.N. No. | | CHECKED | | | TYPICAL INSTALLATION OF HANGER INTERCEPTORS | | |
| DATE | | APPRVD. | | | | | |
| | | MATERIAL 50910010 | | | SCALE NTS | DRG. No. INSTAL 1 | ISSUE No. 3 |

WADE INTERNATIONAL LTD., THIRD AVENUE, HALSTEAD, ESSEX, CO9 2SX

TEL: 01787 475151 FAX: 01787 475579

e-mail: tech@wade.eu website: www.wade.eu