

M4 PAN HD  
CAPTIVE SCREWS

GRATING RELEASE  
ARM

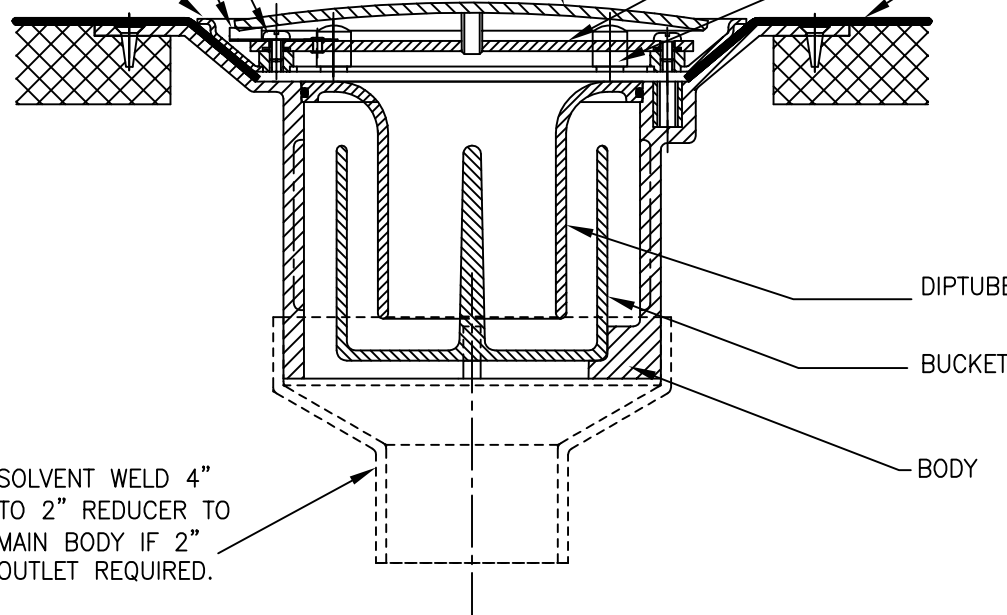
VINYL CLAMP

GRATING

GRATING SECURING  
BAR

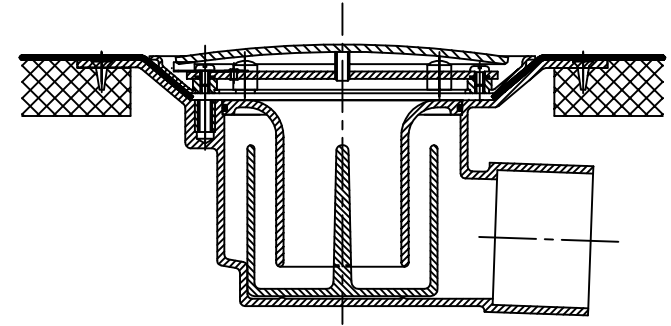
SUPPORT PILLAR

SHEET VINYL



SOLVENT WELD 4"  
TO 2" REDUCER TO  
MAIN BODY IF 2"  
OUTLET REQUIRED.

GV6007 ASSY



GV5007 ASSY

## Maintenance

1. Remove grating by depressing release arm and rotating grating anti-clockwise.
2. Remove grating securing bar by unscrewing the 2 off M4 pan head captive screws.
3. Remove dip tube by pulling up on central handle.
4. Remove bucket by pulling up on centre pin.  
The drain can now be cleaned/rodded.

Assembly is the reverse of the above procedure.

## Important


Do not disturb the vinyl clamp or dismantle the drain further.

DO NOT SCALE

THIRD ANGLE PROJECTION

IF IN DOUBT ASK !

©2006

ISS. No.		DRAWN	M.S	04.07.06	TITLE MAINTENANCE GUIDELINES FOR GV6007/ GV5007 GULLY		
C.N. No.		CHECKED					
DATE		APPROVED					
 WADE INTERNATIONAL LTD. THIRD AVENUE, HALSTEAD, ESSEX, CO9 2SX. TEL: 01787 475151 FAX: 01787 475579 e-mail: tech@wade.eu website: www.wade.eu		50910035			SCALE NTS	DRG. No. <b>INSTAL 35</b>	ISS. No. 1